

AFT 400-3

TRACKED ASPHALT PAVER CITY CLASS, PREMIUM

EU Stage V / U.S. EPA Tier 4f
EU Stage IIIA / U.S. EPA Tier 3



INTELLIGENT URBAN PAVING

This paver utilises an intelligent control system that features a variety of automated functions. The system enables productivity, quality and cost-saving efficiency. The AFT 400-3 is productive when space is open, but can manage curves and tighter spaces within cities, too. The tracks provide grip, particularly helpful on steep grades. The material feeding system provides consistent mix flow.

OPERATOR STATION

- Intelligent paving process management system
- User-friendly, multifunctional dashboard
- Optimal view of all machine preferences and settings

MATERIAL FEEDING

- Large 320 mm diameter auger
- 700 mm independent conveyor belt
- Proportional sensors and speed controls

EASY TRANSPORT

- Compact dimensions
- Transport width within 2.55 m allows truck transportation with mounted extension boxes

SUPERIOR SCREED TECHNOLOGY

- Dual tube design for high stability, even when paving at maximum width
- Ergonomic side shield control
- Easy adjustment of the angle of attack
- Standard width of 1.75–3.5 m
- Max width of 4.7 m with extensions
- Vibration or tamper/vibration screeds
- Gas or electric heating

TRACTION/STABILITY

- 2.09 m track length
- 260 mm track pads

SERVICEABILITY

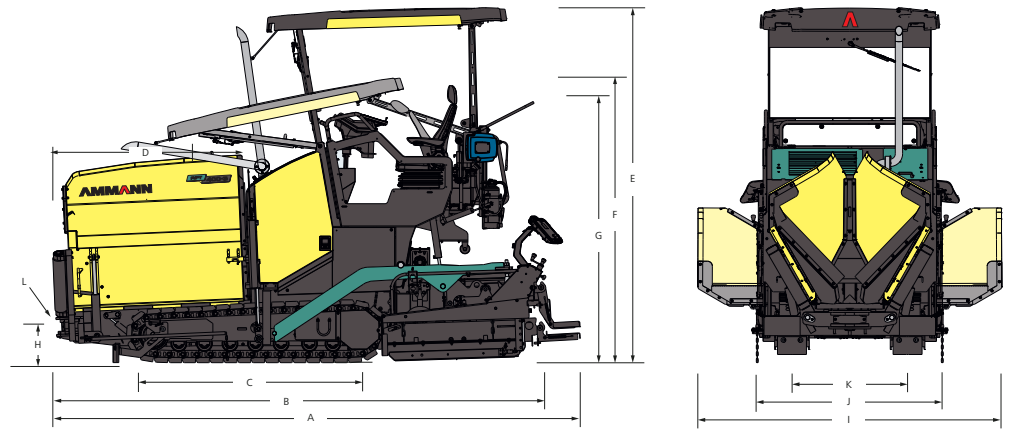
- Easy access
- All-in-one box kits available

APPLICATIONS

- National roads
- Municipal roads
- Building lots
- Squares and courtyards
- Sporting courts

AMMANN

TECHNICAL SPECIFICATIONS
AFT 400-3
TRACKED ASPHALT PAVER
CITY CLASS, PREMIUM



WEIGHT & DIMENSIONS

WEIGHT (INCLUDING STANDARD SCREED)	10 500 kg
A MACHINE LENGTH	5022 mm
B TRANSPORT LENGTH	4990 mm
C TRACK LENGTH	2090 mm
D HOPPER LENGTH	1990 mm
E MACHINE HEIGHT	3600 mm
F TRANSPORT HEIGHT	2920 mm
G HEIGHT (W.O. CANOPY)	2400 mm
H MATERIAL LOADING HEIGHT	500 mm
I MACHINE, OPEN HOPPERS WIDTH	3150 mm
J TRANSPORT WIDTH	1800 mm
K TRACK GAUGE WIDTH	1200 mm
L MAX. APPROACH ANGLE	13°

CAPACITY & PERFORMANCE

PLACEMENT THICKNESS (MAX.)	200 mm
THEORETICAL PAVING CAPACITY	350 t/h
PAVING SPEED (MAX.)	25 m/min
TRANSPORT SPEED (MAX.)	4 km/h

CRAWLER

CRAWLER LENGTH (AXLE TRACK)	2090 mm
CRAWLER WIDTH (PADS)	260 mm
FINAL DRIVE	Hydrostatic

SCREED OPTIONS

	SV 3500 G	SV 3500 E	STV 3500 G	STV 3500 E
BASIC WIDTH	1.75 m	1.75 m	1.75 m	1.75 m
HYDRAULIC EXTENDED WIDTH	3.50 m	3.50 m	3.50 m	3.50 m
MAX. WORKING WIDTH	4.70 m	4.70 m	4.70 m	4.70 m
HEATING SYSTEM	Gas (LPG)	Electric	Gas (LPG)	Electric
CROWN RANGE	-2.5% to +4.5%	-2.5% to +4.5%	-2.5% to +4.5%	-2.5% to +4.5%
SCREED TYPE	Vibration screed	Vibration screed	Tamper & vibration screed	Tamper & vibration screed



MATERIAL FEEDING SYSTEM

HOPPER CAPACITY	10.5 t
HOPPER DUMPING HEIGHT CENTER (W. HOPPER FLAP)	500 mm
HOPPER WIDTH, INTERNAL	3040 mm
CONVEYOR TYPE	Dual bar feeder, reversible and independent
CONVEYOR WIDTH	700 mm
CONVEYOR CONTROL	Aut. / Proportional paddles
AUGER DIAMETER	320 mm
AUGER CONTROL	Aut. / Ultrasonic sensors
AUGER HEIGHT ADJUSTMENT	200 mm (hydraulic)

ENGINE

ENGINE MODEL	Deutz TD 2.9 L4
RATED POWER @ 2200 RPM	
EU Stage V / U.S. EPA Tier 4f	55.4 kW
EU Stage IIIA / U.S. EPA Tier 3	54 kW
ELECTRICAL SYSTEM	24 V
FUEL TANK CAPACITY	73 l

OPERATOR STATION

OPERATOR CONSOLE	Slidable and tiltable control panel
DASHBOARD	Pave Manager 2.0 (PLC)
PLATFORM	Sliding stations with pivotable seats
ROOF	Canopy with lights (optional)