



AFT 500

TRACKED ASPHALT PAVER

POWER-BOOSTING TRACKS

The AFT 500 is an outstanding performer when placing binder or top courses on large paving projects, such as highways and airports. The paver's undercarriage and gripping tracks ensure traction on the most challenging jobsites and grades. A central 5" color display provides the operator with key information regarding the paving process.

USER-FRIENDLY OPERATION

- Intuitive to operate dashboard and screed control units
- Illuminated panels for night shifts
- Individual parts for easy replacement

PRODUCTIVITY

- Standard paving width of 2500–4900 mm
- Maximum paving width of 7000 mm with mechanical extensions
- Production capacity of 500 t/h
- Working speed of 37 m/min
- Transfer speed of 4.5 km/h

HIGH-QUALITY SCREEDS

- Gas (LPG) heated
- Combined Tamper & vibration screed for best pre-compaction results

VISIBILITY

- Optimal operator view
- Sliding operator station
- Clear sightlines to the jobsite
- Good views of the hopper, auger and screed
- LED working lights

GRIPPING TRACKS

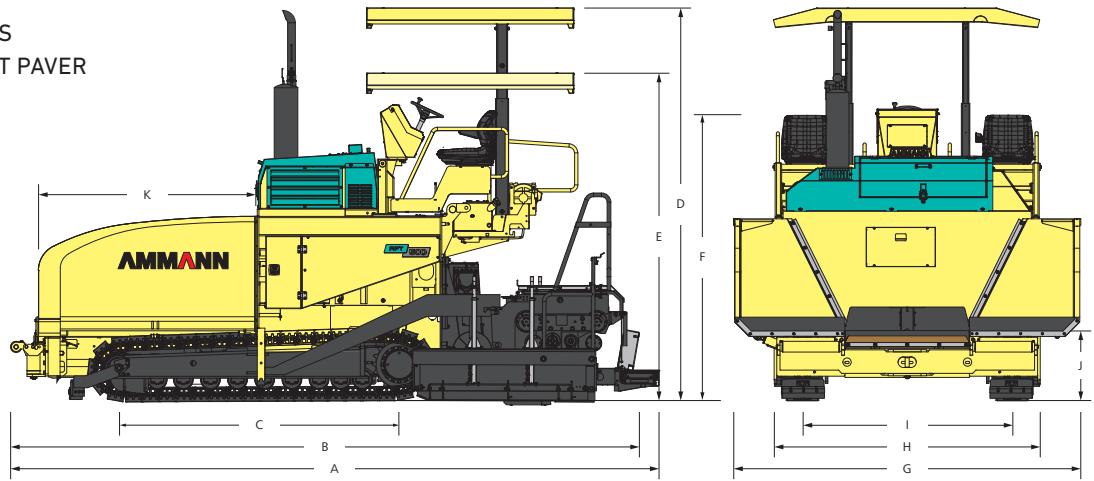
- Rubber pads and an automatic tensioning system provide traction and limit maintenance.
- Two displacements directly attached to the planetary gearboxes enable traction and propel the paver.

APPLICATIONS

- Layer of wearing courses, binder and special asphalts
- National Roads
- Country roads
- Municipal Roads
- Building lots
- Big squares and courtyards
- Motor ways
- Air fields
- Port areas
- Cities' streets

AMMANN

TECHNICAL SPECIFICATIONS
AFT 500 TRACKED ASPHALT PAVER



WEIGHT & DIMENSIONS

OPERATING WEIGHT	15 000 kg
A MACHINE LENGTH	6100 mm
B TRANSPORT LENGTH	5860 mm
C TRACK LENGTH	2580 mm
D MACHINE HEIGHT	3520 mm
E TRANSPORT HEIGHT	3100 mm
F HEIGHT WITHOUT CANOPY	3000 mm
G MACHINE WIDTH	3240 mm
H TRANSPORT WIDTH	2550 mm
I TRACK GAUGE	2076 mm
J MATERIAL LOADING HEIGHT	600 mm
K HOPPER LENGTH	2000 mm

ENGINE / UNDERCARRIAGE

MANUFACTURER	Cummins
TYPE	6 BTA5.9C
ENGINE COOLING SYSTEM	Liquid cooling
NUMBER OF CYLINDERS	6
RATED POWER	112 kW
EMISSION LEVEL	Bharat Stage 3
UNDERCARRIAGE TYPE	Tracked
TRACK CONTACT SURFACE	2580 x 300 mm
TRANSMISSION TYPE	Hydrostatic
INTERNAL TURNING RADIUS	1.0 m
ELECTRICAL SYSTEM	24 V

PERFORMANCE

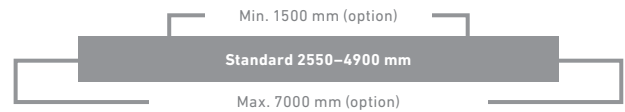
MAX. THEORETICAL PAVING CAPACITY	500 t/h
MAT THICKNESS	10–300 mm
SPEED, TRANSPORT	0–4.5 km/h
SPEED, PAVING	0–37 m/min

STANDARD EQUIPMENT

- Automatic heating control
- Proportional ultrasonic augers control
- The ISR system (Screed Assist)
- e-hydraulically adjustable auger height adjustment
- Hydraulic folding canopy

SCREED FST 500 G

STANDARD PAVING WIDTH	2550–4900 mm
MAX. W / EXTENSIONS	7000 mm
MIN. W / REDUCTION PLATES	1500 mm
STANDARD SCREED WEIGHT	3144 kg
HEATING SYSTEM	Gas
COMPACTION SYSTEM, SCREED	Tamper & Vibration
COMPACTION SYSTEM, EXTENSIONS	Tamper & Vibration
CROWN PROFILE	-2.5% ... +4.0%
TAMPER FREQUENCY	max. 27.5 Hz
TAMPER STROKE	4.0 mm
VIBRATION FREQUENCY	max. 53.3 Hz



MATERIAL FEEDING

HOPPER CAPACITY	12 t
CONVEYOR SYSTEM	Two independent, reversible
CONVEYOR WIDTH	2 x 585 mm
CONVEYOR SPEED	29.3 m/min
AUGER SYSTEM	Two independent, reversible
AUGER DIAMETER	360 mm
AUGER SPEED	24.6 m/min
AUGER HEIGHT ADJUSTMENT	150 mm

TANK CAPACITIES

FUEL TANK	220 l
COOLING SYSTEM (TOTAL)	22 l
ENGINE OIL	11.5 l
HYDRAULIC OIL TANK	170 l

OPTIONAL EQUIPMENT

- Ultrasonic Levelling system
- Big Ski Levelling system
- Mechanical extensions 2 x 800 mm
- Reduction plates at 1500 mm paving width
- Rotating screed end plates
- Heated operator seat
- Centralised greasing system