

APA 100/88

ADD-ON COMPACTOR



THE ADD-ON MACHINE FOR LARGE EXCAVATORS

A working width of 880 mm and a length of 1295 mm make the APA 100/88 a highly productive add-on compactor for large excavators. It is equipped with a hydraulic 360° rotating motor, suitable for excavators up to 40 tonnes. This versatile machine can also be used in small areas.

PATENTED VIBRATION LIMITATION

- High-resistance rubber shock absorbers cushion vibrations to protect the excavator and operator

TWIN-SHAFT EXCITER

- High frequency and low amplitude to protect adjacent buildings
- Maintenance-free

SAFETY

- For work on steep inclines where compaction with a vibratory plate is not safe
- Trench compaction from a safe distance

THE MACHINE THAT MATCHES

- The Add-On Compactor is compatible with all commonly used adapters
- With the Ammann fast change system, this Add-On Compactor is connected and ready to operate within a few seconds

RUGGED DESIGN

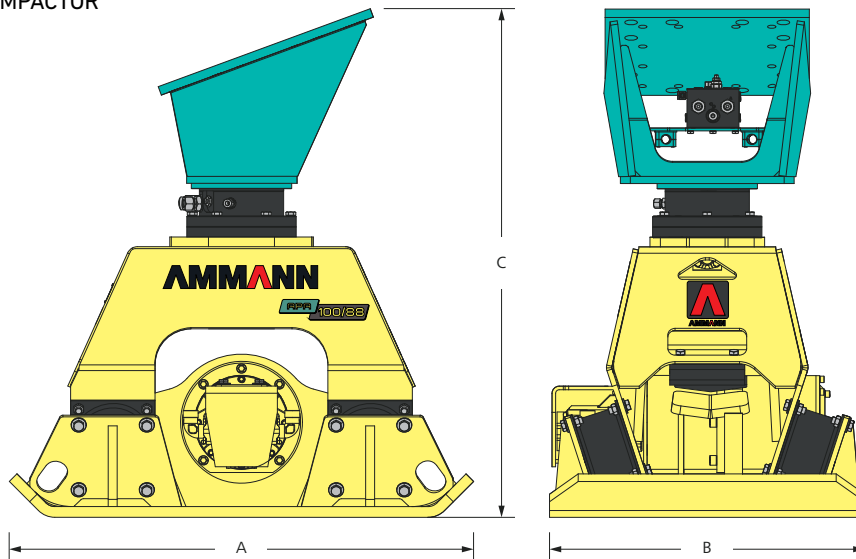
- The housing protects the central exciter unit
- Bearing bushings protect the housing against vibrations and prevent direct contact by metal surfaces under high pressure

APPLICATIONS

- Add-On Compactor for excavators in the <30-tonne class
- Pipeline construction
- Development areas
- Slope and hillside compaction
- Confined work spaces
- Manhole compaction
- Structure backfill work
- Landfill
- Track construction

AMMANN

TECHNICAL SPECIFICATIONS
APA 100/88 ADD-ON COMPACTOR



WEIGHT & DIMENSIONS

	APA 100/88
OPERATION WEIGHT CECE (WITH MECHANICAL POSITIONER)	1170 kg (2579 lb)
A MACHINE LENGTH	1295 mm (51.1 in)
B MACHINE WIDTH	880 mm (34.7 in)
C MACHINE HEIGHT (WITH MECHANICAL POSITIONER)	1350 mm (59.1 in)

TECHNICAL SPECIFICATIONS

FREQUENCY	36 Hz (2700 vpm)
CENTRIFUGAL FORCE	100 kN (22 480 lbf)
REQUIRED OIL QUANTITY	150 l/min. (39 gpm)
REQUIRED OPERATING PRESSURE MAX.	250 bar (3625.9 psi)
MAXIMUM BACK PRESSURE	10 bar (145 psi)
RECOMMENDED CARRIER SIZE	18–40 t (39 600–88 000 lbs)



STANDARD EQUIPMENT

- Version with hydraulic rotator
- Twin-shaft exciter with high frequency and low amplitude
- Rubber cushions protect the excavator against vibrations
- Universal adapter plate for fast changes

OPTIONAL EQUIPMENT

- Alternative connections for Krupp hole pattern
- Hydraulic connections for Likufix fast change system
- Hydraulic connections for OilQuick fast change system
- Adapter plate to fit an OilQuick fast change system

For additional product informations and services please visit:
www.ammann-group.com

Specifications are subject to change.

MSS-1070-00-EN | © Ammann Group | Images: © www.fotopizza.com

AMMANN