

# APF 15/40

## FORWARD MOVING VIBRATORY PLATE



### BROAD APPLICATION RANGE

The APF 15/40 is able to utilise key options to make this forward-moving plate extremely versatile. An optional Vulcolan mat, which can be installed without a single tool, provides quick adjustment when working with paving stones. A sprinkling system enables work on asphalt. The plate features a working width of 400 mm and engine power of 2.9 kW (4 HP).

### SIMPLE OPERATION

- Operator safety with low HAV levels (below 2.5 m/sec<sup>2</sup>)
- Machine frame that enables secure grip
- Great maneuverability boosts accuracy and makes work simple

### POWERFUL COMPACTOR

- Generously sized, powerful exciter unit
- Leading compaction power, speed, climbing ability and machine life
- Compact dimensions allow use on sites with limited space

### READY FOR RENTAL

- Low cost upkeep for owners
- Good match for many applications
- Easy for new users to operate

### SERVICEABILITY

- Maintenance-free exciter system
- Full engine protection frame
- Toolless daily maintenance

### VERSATILE OPTIONS

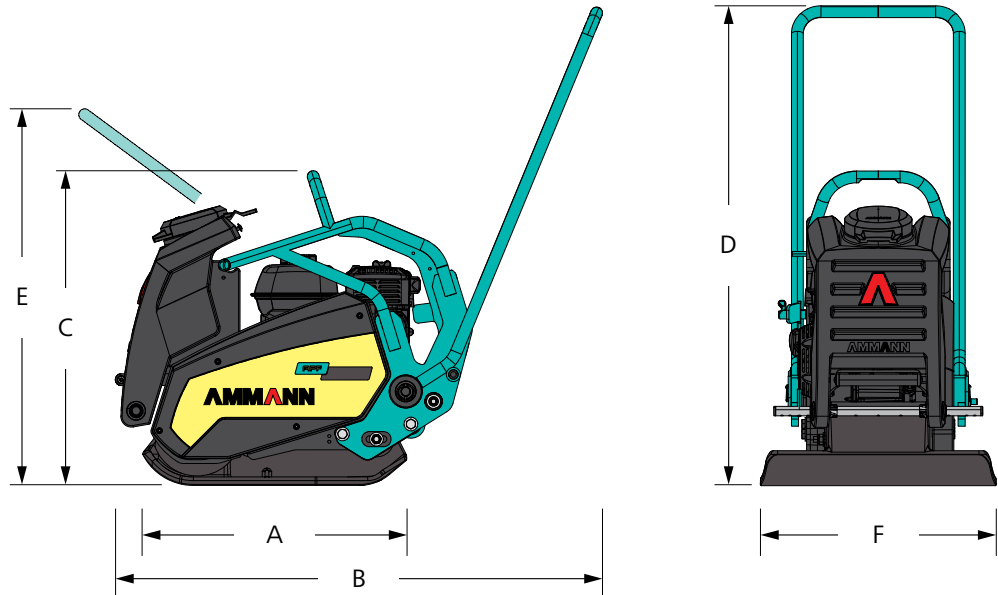
- Toolless mountable water tank and sprinkler system
- Toolless mountable rubber mats to change onto paving stones
- Permanently mounted transport wheels easy relocation of the machine on site

### APPLICATIONS

- Compaction in confined areas
- Asphalt and paving applications
- Light to medium patchwork
- Pipeline and trench construction
- Landscaping and gardening
- Earthwork

**AMMANN**

TECHNICAL SPECIFICATIONS  
 APF 15/40  
 FORWARD MOVING  
 VIBRATORY PLATE



### DIMENSIONS & WEIGHTS

MACHINE WEIGHT	80 kg (176 lb)
A BASE PLATE LENGTH	346 mm (13.62 in)
B MACHINE LENGTH	1032 mm (40.62 in)
C MACHINE HEIGHT	667 mm (20.26 in)
D WITH HANDLE (WORK)	1015 mm (39.96 in)
E WITH HANDLE (TRANSPORT)	860 mm (33.86 in)
F MACHINE WIDTH	400 mm (15.7 in)

### COMPACTION FORCES

MAX. VIBRATION FREQUENCY	100 Hz (6000 vpm)
MAX. CENTRIFUGAL FORCE	15 kN
WORKING SURFACE	up to 528 m <sup>2</sup> /h
SPEC. SURFACE PRESSURE	7.2 N/cm <sup>2</sup>

### ENGINE

ENGINE	Honda GX 120
FUEL	Petrol
ENGINE OUTPUT AT RPM	2.9 kW (4 HP) 3200

### MISCELLANEOUS

HAND-ARM VIBRATION ON HANDLE	<2.5 m/s <sup>2</sup>
SPEED	0–22 m/min (72.2 fpm)
GRADEABILITY	30 %
MAX. INCLINE TO ALL SIDES	20°

### OPTIONS

RUBBER MAT	x
TRANSPORT WHEELS	x
WATER SPRINKLER SYSTEM	10 l
HOUR METER	x

### HIGHLIGHTS

- Low-vibration handle for operator safety and comfort
- Maintenance-free exciter system
- Base plate that is self cleaning and wear resistant
- Engine frame for protection on the jobsite and during transport
- Transport wheels, which can be dropped with a foot release and enable mobility on the jobsite