

APH 100-20

HYDROSTATIC VIBRATORY PLATE



A HEAVY HITTER

The weight of the APH 100-20 combines with the industry-leading triple-shaft exciter system to provide performance, climbing ability and responsiveness. The vibratory plate weighs in at 675 kg. Several options, such as extension plates, operation hour meter and dead man's handle, allow for customisation to make the plate fit your particular needs.

TRIPLE-SHAFT EXCITER SYSTEM

- Increases power and compaction forces.
- Keeps plate movement consistent for smooth travel.
- Performs well in heavy, cohesive soils.
- Climbs while backfilling saturated areas.

INDUSTRY LEADER

- Unique Ammann triple-shaft exciter system overcomes grades between 30 % and 35 %.
- Ammann hydraulic plate compactors are the strongest machines in their class.
- Hydraulic pump enables smooth direction changes.

OPTIONAL TECHNOLOGY

- ACE^{econ} continuously measures and monitors the compaction level.

INNOVATIVE HANDLE

- Unique orbital system delivers great control with minimal effort.
- Vibration-isolated to reduce stress on the operator.

DURABLE, EASY TO MAINTAIN

- Best in class in servicability thanks to wide opening protection hoods.
- Service-friendly exciter unit with long lifetime.
- Wear-resistant, self-cleaning base plate.

APPLICATIONS

- Soil / earthwork
- Set paved roads / paving stones
- Trench work
- Road construction
- Foundation work
- Civil engineering
- Landscaping

TECHNICAL SPECIFICATIONS
APH 100-20 HYDROSTATIC VIBRATORY PLATE

WEIGHT & DIMENSIONS

MACHINE WEIGHT BASIC UNIT	675 kg (1488 lb)
WITH EXTENSION PLATES 75 MM	705 kg (1554 lb)
WITH EXTENSION PLATES 150 MM	727 kg (1603 lb)
A BASE PLATE LENGTH	520 mm (20.5 in)
B MACHINE LENGTH	1070 mm (42.1 in)
C WITH HANDLE	1965 mm (77.4 in)
D MACHINE HEIGHT	900 mm (35.4 in)
E HANDLE HEIGHT (WORK)	1000 mm (39.4 in)
F HANDLE HEIGHT (TRANSPORT)	1500 mm (60.8 in)
G MACHINE WIDTH	650 mm (26 in)
WITH EXTENSION PLATES	800/950 mm (31/37 in)

ENGINE

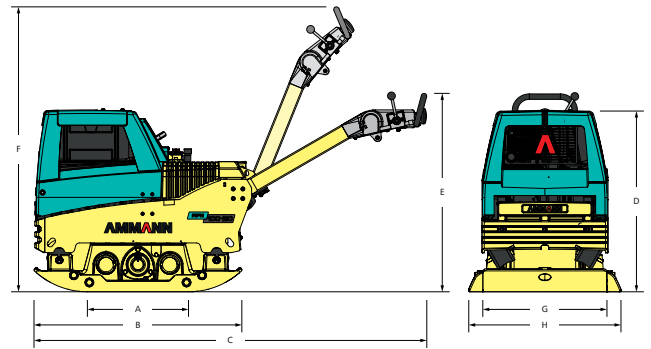
ENGINE	Hatz 1D90S
FUEL	Diesel
ENGINE OUTPUT	14.8 HP / 10.9 kW
AT RPM	3000 rpm
FUEL CONSUMPTION	2.5 l/h (0.6 gal/h)

COMPACTION FORCES

MAX. VIBRATION FREQUENCY	40 Hz (2400 vpm)
MAX. CENTRIFUGAL FORCE	100 kN
WORKING SURFACE BASIC UNIT	1090 m ² /h (11733 ft ² /h)
WITH EXTENSIONS	1350/1600 m ² /h (14531/17222 ft ² /h)
MAX. COMPACTION DEPTH (DEPENDING ON GROUND CONDITIONS)	100 cm (22 in)

MISCELLANEOUS

OPERATING SPEED	28 m/min (1 mph)
TANK CAPACITY	10 l (2.2 gal)
GRADEABILITY	36 %
MAX. INCLINE TO ALL SIDES	30 °



STANDARD EQUIPMENT

- Ammann unique tripple shaft exciter system
- Control handle bar, ergonomically adjustable and lockable
- Orbitrol system providing optimal drive control
- Protective casing: Protects functional components against dirt and damage, offers easy accessibility for service
- Powerful, air cooled and silenced hatz diesel engines with oil alert system and low emission values
- Electric start
- Emergency stop at the end of the handle for highest operator safety
- 3 year extended warranty porogram

OPTIONAL EQUIPMENT

- Operation hour meter
- Compaction control system ACEeco for compaction measurement on site for an optimised compaction
- Extension plates

For additional product information and services please visit:
www.ammann-group.com

Specifications are subject to change.

MSS-1063-01-EN | © Ammann Group | Images: © www.fotopizza.com

AMMANN