

# ARW 65

## WALK-BEHIND ROLLER



### A 2-IN-1 MACHINE

The ARW 65 provides two-in-one capabilities that make it the perfect fit for every construction company. A high-amplitude setting provides a walk-behind roller that performs like it was custom built for work on soils and aggregates. By simply adjusting to the low-amplitude the operator can change to a roller that is a perfect fit on asphalt and bituminous materials. The machine is available with Hatz or Yanmar diesel engines, leaving the engine choice up to the customers preferences.

### SOIL AND BITUMEN APPLICATION

- High-amplitude setting for work on gravel/soil.
- Low-amplitude setting for asphalt and bituminous materials.
- Scrapers, sprinkler system and large water tank for work on bituminous material already installed.

### HYDRAULIC DRIVE

- Ensures variable speed adjustment.
- Offers smooth starting/braking action.
- Low maintenance costs due to hydrostatic drive and vibration

### TWO AMPLITUDES

- Big amplitude (0.5 mm) for substructure
- Small amplitude (0.3 mm) for asphalt

### EFFICIENCY ON EDGES

- Clearance on both drum sides allows compaction work extremely close to obstacles.
- No time-consuming reworking on edges is needed.

### SAFETY FIRST

- Safety handle stops machine when operator loses grip on machine.
- Safety handle changes direction to forward when the machine comes too close to the operator in reverse mode.
- In reverse mode the roller's speed limit is set to 2.5 km/h as a safety regulation to protect the operator.

### APPLICATIONS

- Earthwork and asphalt applications
- Sidewalk/cycle paths construction/repair
- Sport grounds
- Agricultural roads construction/maintenance
- Forest road construction / maintenance

**AMMANN**

TECHNICAL SPECIFICATIONS  
ARW 65 WALK-BEHIND ROLLER

**WEIGHT & DIMENSIONS**

	HATZ	YANMAR
OPERATION WEIGHT CECE	719 kg (1585 lb)	n.a.
OPERATION WEIGHT CECE (WITH ELECTRIC START)	738 kg (1627 lb)	712 kg (1570 lb)
A MACHINE LENGTH	2288 mm (90.1 in)	2288 mm (90.1 in)
B WHEEL BASE	500 mm (19.7 in)	500 mm (19.7 in)
C DRUM DIAMETER	400 mm (15.7 in)	400 mm (15.7 in)
D MACHINE HEIGHT	1110 mm (43.7 in)	1110 mm (43.7 in)
E TRANSPORT HEIGHT	1835 mm (72.2 in)	1835 mm (72.2 in)
F MACHINE WIDTH	720 mm (28.3 in)	720 mm (28.3 in)
G DRUM WIDTH	650 mm (25.6 in)	650 mm (25.6 in)

**ENGINE**

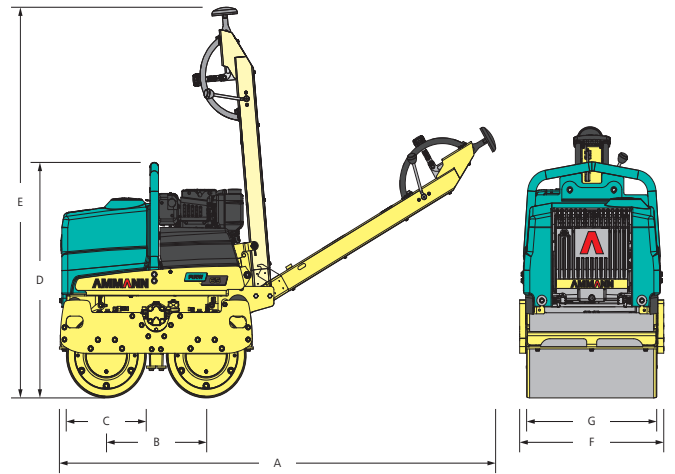
ENGINE	Hatz 1D42S	Yanmar L100N
FUEL	Diesel	Diesel
ENGINE OUTPUT AT RPM	6.1 kW (8.2 HP) 2800	6.1 kW (8.2 HP) 2600
FUEL CONSUMPTION	1.7 l/h (0.4 gal/h)	1.2 l (0.32 gal/h)

**COMPACTION FORCES**

MAX. VIBRATION FREQUENCY	60 Hz (3600 vpm)	60 Hz (3600 vpm)
MAX. CENTRIFUGAL FORCE	11/21 kN (2473 / 4721 lbf)	11/21 kN (2473 / 4721 lbf)
LINEAR PRESSURE	5.7 kg/cm (31.8 lb/in)	5.5 kg/cm (30.7 lb/in)
AMPLITUDE	0.3/0.5 mm (0.012/0.02 in)	0.3/0.5 mm (0.012/0.02 in)
MAX. COMPACTION DEPTH (SOIL)	20/15 cm (7.9/5.9 in)	20/15 cm (7.9/5.9 in)
MAX. COMPACTION DEPTH (SAND)	30/25 cm (11.8/9.8 in)	30/25 cm (11.8/9.8 in)

**STANDARD EQUIPMENT**

- Hydrostatic adjustable eccentric weights for 2 working modes
- Ergonomic handle
- Dead man handle for operator safety
- Integrated hydraulic parking brake
- 60l water tank with sprinkler system
- Scrapers on front and back drum
- Electric starter (Yanmar version)
- Ammann ServiceLink
- 3 year extended warranty program



**MISCELLANEOUS**

SPEED (FORWARD)	4 km/h (2.5 mph)	4 km/h (2.5 mph)
SPEED (BACKWARD)	2.5 km/h (1.6 mph)	2.5 km/h (1.6 mph)
GRADEABILITY W./W.O. VIBRATION	25% / 45%	25% / 44%
FUEL CAPACITY	5 l (1.32 gal)	4.7 l (1.2 gal)
HYDRAULIC OIL CAPACITY	20 l (5.2 gal)	20 l (5.2 gal)
WATER TANK CAPACITY	60 l (15.8 gal)	60 l (15.8 gal)

**OPTIONAL EQUIPMENT**

- Operating hour meter
- Protection frame in front
- Electric starter (Hatz version)