

ARX 23-2

TANDEM ROLLER
EU Stage V / US EPA Tier 4f

WORKING AROUND OBSTRUCTIONS

The Ammann ARX 23-2 Light Tandem Roller makes it easier to see – and work – near obstructions. The roller features a new articulation joint that enables quick drum adjustment from in-line to offset configurations, helpful when working close to obstructions. Operators need watch only one drum, knowing the second will be a safe distance from the obstacle. The in-line drum setting is available when it's time for productivity in open spaces.

PRODUCTIVITY

Electronic drive lever

Smooth start and stop important, especially on asphalt jobs

ACE^{force}

Intelligent compaction tool for best efficiency

Adjustable oscillating articulation joint

Oscillating joint easy changeable from Off-set into In-line drum setting

ERGONOMICS

Operators platform design

Spacious operator platform with slideable seat

Simple and reliable dashboard

Intuitive machine control, even with an unskilled operator

Visibility

Perfect all-around machine visibility for safety on the jobsite

SERVICEABILITY

Design that enables daily maintenance

Easy and fast daily maintenance

Accessible service and maintenance points

Machine serviced from ground, enabling comfort

Maintenance free parts

Reduced risk of machine damage

APPLICATIONS

- Small and medium construction sites
- City roads
- Boardwalks
- City street repairs
- Road maintenance

MAXIMUM RECOMMENDED COMPACTED LIFT THICKNESS AT OPTIMAL WORKING CONDITIONS

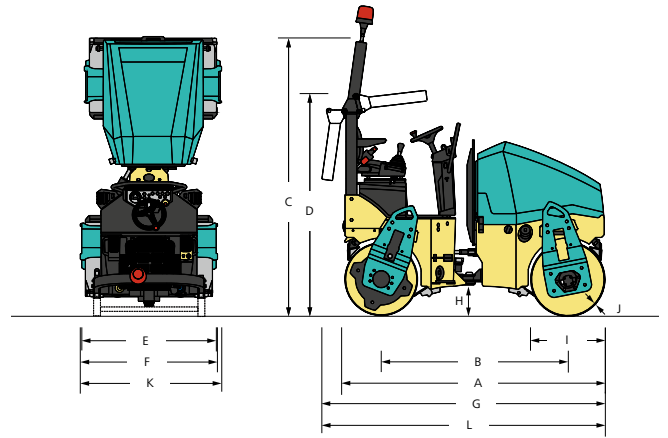
	Sand / gravel	Mixed soils	Silt	Clay	Stabilisation	Asphalt
ARX 23-2	250 mm (9.8 in)	180 mm (7.1 in)	–	–	120 mm (4.7 in)	100 mm (3.9 in)

AMMANN

TECHNICAL SPECIFICATIONS
ARX 23-2 TANDEM ROLLER
EU Stage V / US EPA Tier 4f

DIMENSIONS

A	MACHINE LENGTH	2500 mm (98.4 in)
B	WHEELBASE	1740 mm (68.5 in)
C	MACHINE HEIGHT	2550 mm (100.4 in)
D	MACHINE HEIGHT (FOLDED ROPS)	1935 mm (76.2 in)
E	DRUM WIDTH	1000 mm (39.4 in)
E	TIRE-AXLE WIDTH	-
F	WORKING WIDTH WITH OFFSET	1040 mm (40.97 in)
G	MACHINE LENGTH (FOLDED ROPS)	2585 mm (101.8 in)
H	GROUND CLEARANCE	280 mm (11 in)
I	DRUM DIAMETER	695 mm (27.4 in)
J	DRUM SHELL THICKNESS	13 mm (0.5 in)
K	MACHINE WIDTH (TOTAL)	1130 mm (44.5 in)
L	MACHINE LENGTH (TOTAL)	2585 mm (101.8 in)



MISCELLANEOUS

BATTERY / CAPACITY	12/77 V/Ah
WATER TANK	190 l (50.2 gal)
HYDRAULIC SYSTEM	28.5 l (7.5 gal)
DIESEL FUEL TANK	35 l (9.2 gal)
WHEEL LOAD	-
NUMBER OF WHEELS	-
TIRE SIZE	-

ENGINE

ENGINE TYPE	KUBOTA D1803-CR-E4B
EMMISSION CLASS	EU Stage V / US EPA Tier 4f
POWER OUTPUT ISO 3046	25 kW (33.5 HP)
CYLINDER / LTR.	3 cyl / 1826 cm ³
1. / 2. WORKING SPEED	2.100 / 2.400 rpm
TRAVEL SPEED KM/H	11 km/h (6.8 MPH)
MAX. GRADEABILITY (THEORETICAL)	55 %

COMPACTION FORCES

AMPLITUDE	0.5 mm (0.02 in)
FREQUENCY AT 2100 / 2400 RPM	58/66 Hz (3480/3960 VPM)
CENTRIFUGAL FORCE	33.4/39.9 kN
ROAD CONSTRUCTION TECHNOLOGY	ACE ^{force}

WEIGHT & OPERATING CHARACTERISTICS

OPERATING WEIGHT CECE	2230 kg (4920 lb)
OPERATING WEIGHT MAX.	2425 kg (5350 lb)
STATIC LINEAR LOAD (FULL-FLUSH)	10.8/11.6 kg/cm (23.8/25.6 lb)
TURNING RADIUS INSIDE	2630 mm (103.5 in)
STEERING / OSCILLATING ANGLE	30/6.5 ±°
DRUM OFFSET	40 mm (1.57 in)



STANDARD

- Front and rear vibration and drive
- Control system with emergency stop
- Pressurised pulse interval sprinkler system
- Ammann Vibration Control
- Lateral sliding seat
- 2 working frequencies
- Hydraulic test ports

OPTIONAL EQUIPMENT

- CE-Kit with folding ROPS and road lights
- Road lights
- Infrared Thermometer
- Reverse alarm
- ATC – Ammann Traction Control
- Arm rests
- Second drive-lever, left
- Edge-cutter incl. multi-function lever
- Bio-degradable hydraulic oil
- Drums in line
- Customer colour
- Central lifting hook
- ACE^{force}
- Warning beacon LED
- Additional working lights (ROPS mounted)
- Foldable scrapers
- Weather canopy