

ARX 91

ARTICULATED TANDEM ROLLER

EFFICIENT COMPACTION

A unique propulsion system powers the Ammann ARX 91 Articulated Tandem Roller, helping it efficiently deliver the weight and vibration necessary to achieve optimum compaction results. A combination of drum dimensions, frequencies and amplitudes deliver outstanding results.

COMPACTION OUTPUT

- Powerful combination of drum dimensions, frequencies and amplitudes
- 2 amplitudes and frequencies

OPERATOR PLATFORM

- Excellent view to drum surface, edges and sprinkling system
- Rotating/sliding seat

MOBILITY

- Ideal steering angle and greater manoeuvrability

ENGINE

- Reliable and fuel efficient engine

EFFORTLESS OPERATION

- 2 drive levers for easy operation (option)
- Convenient control locations
- Highly visible operator display
- Simple adjustment of amplitude and frequency

EASY MAINTENANCE

- Reliable, long-life vibration system
- Convenient access to service points and fluid ports

APPLICATIONS

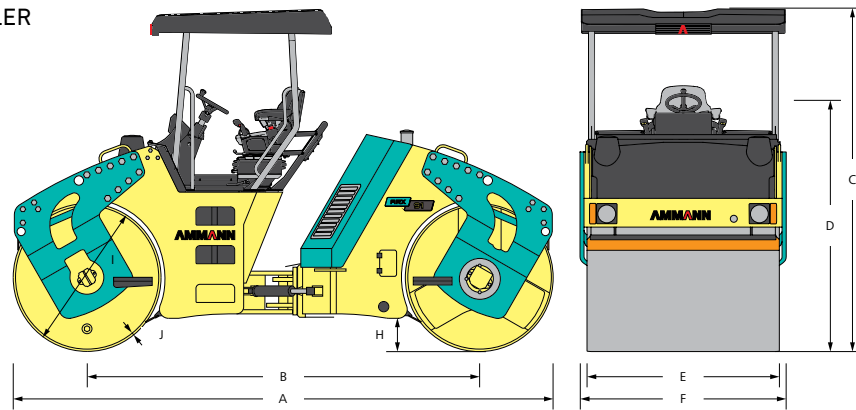
- Medium and large sized jobsites
- Transport construction (motorways, airfields)
- Building construction (industrial zones, harbours)

MAXIMUM RECOMMENDED COMPACTED LIFT THICKNESS AT OPTIMAL WORKING CONDITIONS

	Sand / Gravel	Mixed Soils	Silt	Clay	Stabilisation	Asphalt
ARX 91	0.42 m	0.32 m	-	-	0.22 m	0.15 m

AMMANN

TECHNICAL SPECIFICATIONS
ARX 91 ARTICULATED TANDEM ROLLER



DIMENSIONS

A	MACHINE LENGTH	4720 mm
B	WHEELBASE	3475 mm
C	MACHINE HEIGHT WITH CANOPY	3000 mm
D	MACHINE HEIGHT (REMOVED CANOPY)	2350 mm
E	DRUM WIDTH	1700 mm
F	MACHINE WIDTH	1818 mm
H	GROUND CLEARANCE	290 mm
I	DRUM DIAMETER	1220 mm
J	DRUM SHELL THICKNESS	17 mm

WEIGHT & DRIVING CHARACTERISTIC

OPERATING WEIGHT	9200 kg
WEIGHT ON FRONT DRUM	4645 kg
WEIGHT ON REAR DRUM	4555 kg
STATIC LINEAR LOAD, FRONT	27.3 kg/cm
STATIC LINEAR LOAD, REAR	26.8 kg/cm
TRANSPORT SPEED (MAX)	12 km/h
WORKING SPEED (MAX)	7 km/h
CLIMBING ABILITY	40 %
TURNING RADIUS INNER (EDGE)	4650 mm
CURB CLEARANCE	691 mm
STEERING ANGLE	±35°
OSCILLATION ANGLE	±10°

ENGINE

MANUFACTURER	Cummins 4B3.3TAA-60-C
POWER ACCORDING TO ISO 3046-1	60 kW (80 HP) @ 2200 rpm
NO. OF CYLINDERS	4
TYPE OF COOLING	Water
EMISSION REGULATIONS	BS-III/ Tier 3/ Stage 3A

COMPACTION FORCES

FREQUENCY (LOW)	42 Hz
FREQUENCY (HIGH)	55 Hz
AMPLITUDE (LOW)	0.35 mm
AMPLITUDE (HIGH)	0.7 mm
CENTRIFUGAL FORCE (LOW)	67 kN
CENTRIFUGAL FORCE (HIGH)	78 kN

MISCELLANEOUS

DRIVE SYSTEM	Axial piston pump - closed loop
VIBRATION SYSTEM	Axial piston pump - closed loop
STEERING SYSTEM	Gear pump
BRAKES OPERATING	Hydrostatic
BRAKES PARKING	SAHR (Spring Applied Hydraulically Released)
FUEL TANK CAPACITY	200 l
WATER TANK CAPACITY	1000 l
HYDRAULIC TANK CAPACITY	52 l
BATTERY VOLTAGE	12 V
BATTERY RATING	130 AH



STANDARD EQUIPMENT

- Open driver's platform with protection against vandalism
- Fixed steering column
- Sliding operator's station
- Single driver lever
- Pressurized sprinkling system
- Front head light & rear work light
- Fixed scrapers
- 2 amplitudes 2 frequencies
- Hydrostatic drive front and rear drums

OPTIONAL EQUIPMENT

- Suspended, rotating seat
- Adjustable steering column
- Dual drive lever
- Hard canopy with rails
- ACE (Ammann Compaction Expert)
- Asphalt thermometer
- Edge Cutter
- Fire extinguisher
- Warning beacon
- Biodegradable hydraulic oil
- Customer color scheme
- Toolkit
- Service kit for 500 hours