

AV 130 X

ARTICULATED TANDEM ROLLER
EU Stage IIIA / US EPA Tier 3

BIG YET MANOEUVRABLE

The Ammann AV 130 X EU Stage IIIA / US EPA Tier 3 Articulated Tandem Roller combines its operating weight with drum dimensions, frequencies and amplitudes to deliver optimum compaction results. The roller has two frames connected by an oscillating joint that enables crab steering on each side. Despite its size, the roller remains manoeuvrable and provides outstanding sight lines to the drum, sprinkler system and surfaces.

COMPACTION OUTPUT

- Powerful combination of drum dimensions, frequencies and amplitudes
- 2 amplitudes and frequencies
- Balanced drum dimensions
- Optional ACE^{force} compaction measurement (absolute values) and ADS documentation system

CRAB STEERING

- 2 frames connected by a double oscillating joint enable crab steering on each side
- Provides increased compaction output and responsiveness

QUALITY CAB

- Integrated ROPS
- Excellent view to drum surface, edges and sprinkling system
- Rotating/sliding seat

EFFORTLESS OPERATION

- 2 drive levers for easy operation
- Convenient control locations
- Simple adjustment of amplitude and frequency

EASY MAINTENANCE

- Reliable, long-life vibration system
- Convenient access to service points and fluid ports

MOBILITY

- Steering angle and compact design for manoeuvrability
- Independent, double-pump system drum drives for enhanced traction

APPLICATIONS

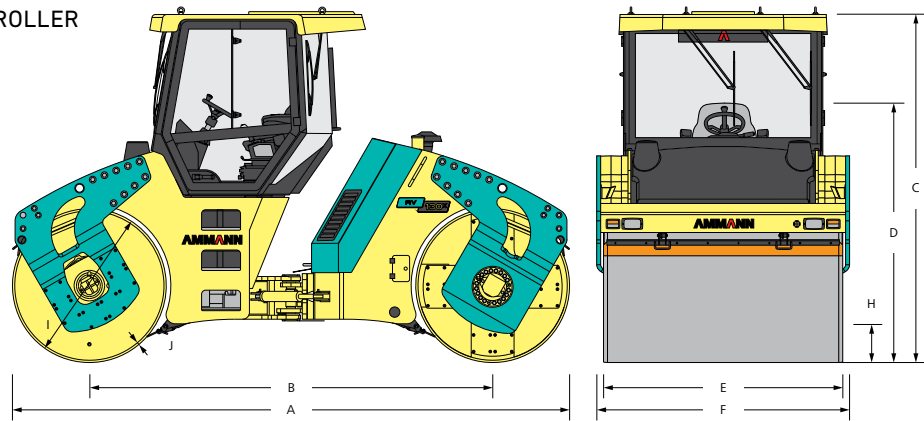
- Medium and large jobsites
- Transport construction (motorways, railways, airfields)
- Building construction (industrial zones, harbours)

MAXIMUM RECOMMENDED COMPACTED LIFT THICKNESS AT OPTIMAL WORKING CONDITIONS

	Sand / Gravel	Mixed Soils	Silt	Clay	Stabilisation
AV 130 X	0.45 m (18 in)	0.35 m (14 in)	-	-	0.25 m (10 in)

AMMANN

TECHNICAL SPECIFICATIONS
 AV 130 X ARTICULATED TANDEM ROLLER
 EU Stage IIIA / US EPA Tier 3



DIMENSIONS

A	MACHINE LENGTH	4875 mm (191.9 in)
B	WHEELBASE	3525 mm (138.8 in)
C	MACHINE HEIGHT	3060 mm (120.5 in)
D	MACHINE HEIGHT (REMOVED CAB / ROPS)	2390 mm (94.1 in)
E	DRUM WIDTH	2100 mm (82.7 in)
F	MACHINE WIDTH	2222 mm (87.5 in)
H	GROUND CLEARANCE	335 mm (13.2 in)
I	DRUM DIAMETER	1350 mm (53.1 in)
J	DRUM SHELL THICKNESS	20 mm (0.8 in)

MISCELLANEOUS

BRAKES OPERATING	Hydrostatic
BRAKES PARKING	Mechanical multiple-disc
BRAKES EMERGENCY	Mechanical multiple-disc
FUEL TANK CAPACITY	210 l (55.5 gal)
VOLTAGE	12 V

WEIGHT & DRIVING CHARACTERISTICS

OPERATING WEIGHT	13080 kg (28 840 lb)
MAXIMUM WEIGHT	13870 kg (30 580 lb)
STATIC LINEAR LOAD OF FRONT DRUM	31.5 kg/cm (176.4 lb/in)
STATIC LINEAR LOAD OF REAR DRUM	30.8 kg/cm (172.5 lb/in)
MAX. TRANSPORT SPEED	11.4 km/h (7.1 MPH)
MAX. WORKING SPEED	-
CLIMBING ABILITY WITH / WITHOUT VIBRATION	30% / 40%
TURNING RADIUS INNER (EDGE)	4670 mm (183.9 in)
CRAB MODE	160 mm (6.3 in)

STANDARD EQUIPMENT

- Open driver's platform with railing and protection against vandalism
- 2 amplitudes and 2 frequencies
- Hydrostatic drive front and rear drums
- Rotating and sliding operator's station
- Adjustable seat and steering column
- Pressurized sprinkling system
- Working lights front and rear
- Scrapers

COMPACTION FORCES

FREQUENCY I	42 Hz (2520 VPM)
FREQUENCY II	55 Hz (3300 VPM)
FREQUENCY ACE MIN. / MAX.	-
AMPLITUDE I	0.8 mm (0.031 in)
AMPLITUDE II	0.4 mm (0.016 in)
AMPLITUDE ACE MIN. / MAX.	-
CENTRIFUGAL FORCE I	135 kN
CENTRIFUGAL FORCE II	96/116 kN
CENTRIF. FORCE ACE MIN. / MAX.	-

ENGINE

MANUFACTURER	Cummins QSB4.5-C130
POWER ACCORDING TO ISO 3046-1	97 kW (130 HP)
MAXIMUM TORQUE	512(376)/1600 Nm (ft lb)/rpm
ENGINE COMPLIES WITH EMISSION REGULATIONS	EU Stage IIIA / US EPA Tier 3



OPTIONAL EQUIPMENT

- CE conformity kit
- ROPS cab ventilated heated
- ROPS protection frame on driver's platform
- Sun canopy for open platform version
- Air conditioning
- Radio
- Edge cutter
- IR Thermometer
- Additional working headlights
- ACE^{force} compaction measurement (absolute values) and ADS documentation system