

# LABORATORY MIXER CEM 60 S ELBA

CONCRETE MIXER



## TRANSPARENT MIXED DEVELOPMENT

High-Capacity-Laboratory-Compulsory-Mixer CEM 60 S Elba for production of quality concrete of all quality classes, special concrete, light-weight concrete as well as other mixable bulk good.

## APPLICATION

- Applicable for chemical and process-technology industries.

## EQUIPMENT

- Two-zone counter-flow mixing system.
- Mixer lining and mixer spirals of highly wear-resistant steel cast.
- The mixing tools of steel may optionally be replaced by tools of rubber or synthetics.
- Support feet with industrial rollers enabling easy change of position.

## ELECTRICAL DRIVE

- Electric motor drive via slip-on gear mechanism 3.3 kW.
- Infinitely adjustable mixing rotation through frequency control.

## EASY TO USE

- Material feeding via inlet funnel from top.
- Sampling and/or separate charging opening for special material.
- Observation of mixing process via grate protected opening in mixer body. Mechanical dust guard cover.
- Material discharge by lockable manual slewing of mixing trough.
- In the final position, 100 % discharge of the mixer trough.

## APPLICATIONS

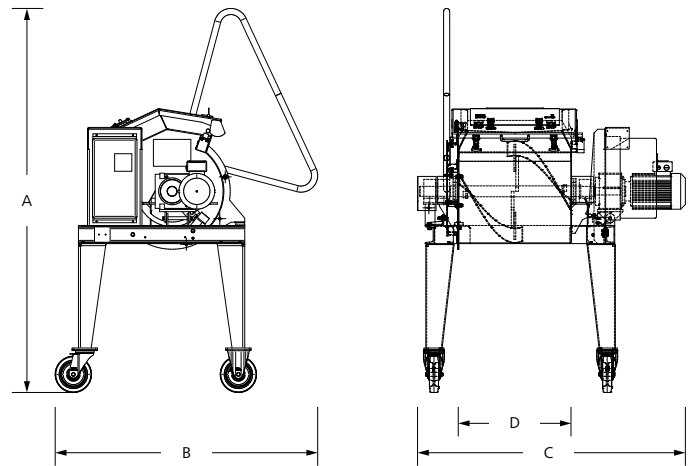
- Universities
- Colleges
- Professional schools
- Concrete laboratory
- Process engineering
- Product development

**AMMANN**

TECHNICAL SPECIFICATIONS  
LABORATORY MIXER CEM 60 S ELBA

**DIMENSIONS & WEIGHT**

A	2115 mm
B	1383 mm
C	1480 mm
D	732 mm
MATERIAL FEEDING HEIGHT WITH STANDARD SUPPORT LEGS	1445 mm
MATERIAL DISCHARGE HEIGHT WITH STANDARD SUPPORT LEGS	655 mm
WEIGHT	approx. 300 kg



**OUTPUT**

MIXER NOMINAL CAPACITY (ACC. DIN 459) (OUTPUT OF COMPACTED CONCRETE)	60 l
MIXER NOMINAL CAPACITY (ACC. DIN 459) (OUTPUT OF NON-COMPACTED CONCRETE) COMPACTED FACTOR V = 1.25 ACC. DIN 1044	75 l
MIXER CAPACITY	90 l
MIXER POWER CONNECTION	3.3 kW
OPERATING VOLTAGE	400 V
FREQUENCY	50 Hz
PERMISSIBLE VOLTAGE FLUCTUATION	± 5 %

**ACCESSORIES**

- IN CASE OF RUBBER MATERIAL: STEEL SPIRAL WITH RUBBER PLATE WHICH IS SCREWED ON
- IN CASE OF SYNTHETIC MATERIAL: STEEL SPIRAL WITH PU PLATE WHICH IS SCREWED ON
- SEQUENCE CONTROL SYSTEM FEATURING EVENT RECORDING



View inside with exchangeable mixing tools.



Maintenance-free bearing.  
Lockable slewing.



Rubber- and synthetic mixture kit.